

NP15 Series



Highlights

- Wide Temperature range : -30°C ~ 1600°C
- Superior Optical resolution up to 300:1
- Spot sizes down to 1mm
- 5 ms response time
- Dual laser sighting
- Visual and acoustic HIGH and LOW alarm
- 4 digit backlit LCD display
- TCK input
- SOnline Software

General Specifications

Ambient Temperature	0°C to 50°C
Storage Temperature	-20 °C to 60°C Without battery
Relative Humidity	10 to 95% non-condensing @ up to 30°C
Dimensions	163.5(L) x 207(H) x 70(W) mm
Weight	470g (battery included)
Tripod Mounting	1/4 – 20 UNC

Electrical Specifications

Digital Output	USB
Input	Thermocouple Type K :-40°C ~ 760°C
Data logger	2,000 points
Laser	IEC Class2/FDA Class II (<1mW)
Display	4 digit backlit LCD display
Power Supply	9V alkaline battery
Battery life time	10 hours (laser and backlight on)

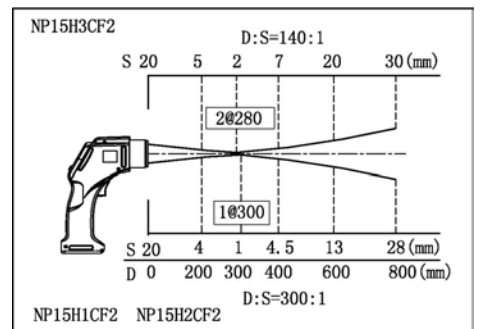
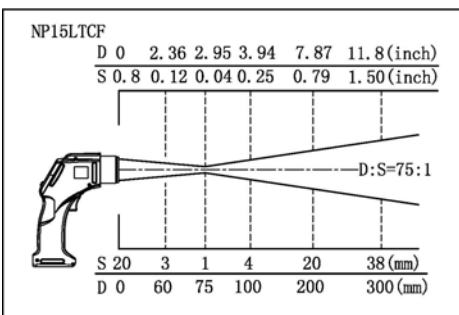
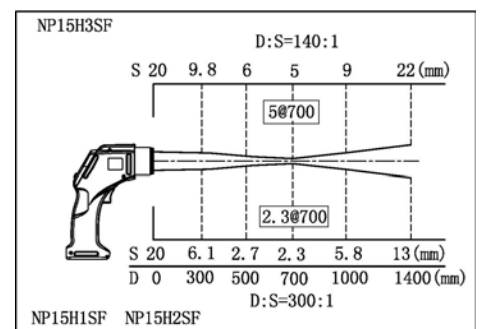
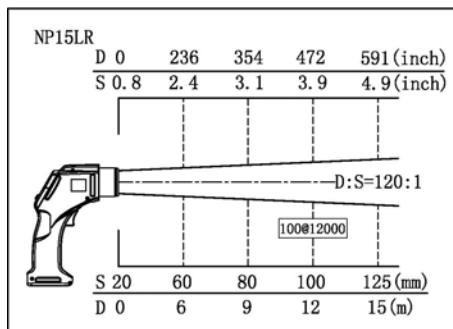
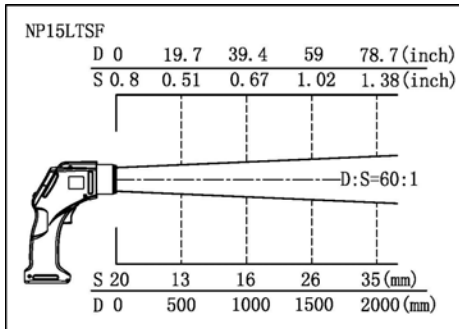
Measurement Specifications

Temperature Range	LT: -30°C ~ 900°C (-22°F to 1652°F) LR: -30°C ~ 1300°C (-22°F to 2372°F) H1: 600°C ~ 1600°C (1112°F to 2912°F) H2: 300°C ~ 1300°C (572°F to 2372°F) H3: 100°C ~ 600°C (212°F to 1112°F)
Spectral Response	LT: 8 ~ 14µm LR: 8 ~ 14µm H1: 1µm H2: 1.6µm H3: 2.3µm
Optics Resolution (90% energy)	LT, 60 : 1 (SF), 75 : 1 (CF) LR, 120 : 1 H1, 300 : 1 H2, 300 : 1 H3, 140 : 1
Accuracy*1	LT/LR: ±1% of reading or ±1°C, whichever is greater H1/H2/H3: ±(0.5% of reading + 2°C), whichever is greater
Repeatability*1	LT/LR: ±0.5% of reading or ±0.5°C, whichever is greater H1/H2/H3: ±(0.3% of reading + 1°C), whichever is greater
Temperature Resolution	0.1°C, (1°C above 1000°C)
Response Time (95% signal)	LT/LR: 300 ms H1/H2/H3: 5 ms
Emissivity (adjustable)	0.10 ~ 1.00, in 0.01 increments
Signal processing	peak hold, valley hold or averaging

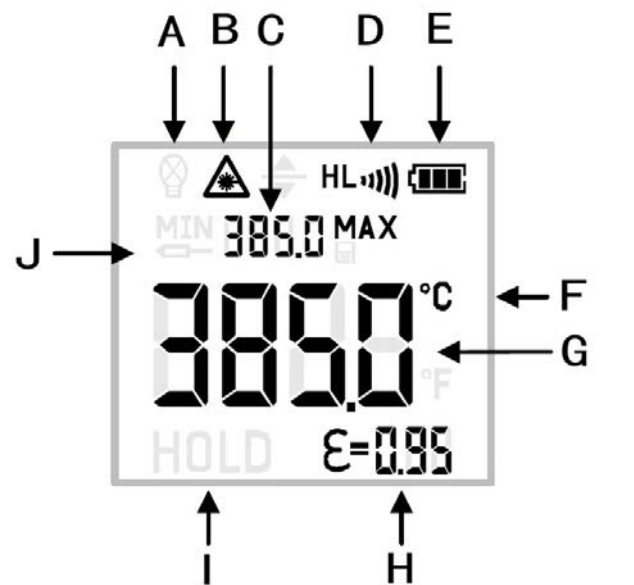
*1 At 23°C ± 5°C, emissivity LT/LR = 0.95, H1/H2/H3 = 1.00

SENTEST NP15 Series

Optical Specifications



Control Panel



- A: LCD backlight
- B: Laser
- C: Max/Min
- D: High/Low alarm
- E: Battery symbol
- F: °C/°F unit
- G: IR temperature
- H: Emissivity
- I: Hold mode
- J: TCK temperature

Specifications are subject to change without notice
NP15-E201606-A